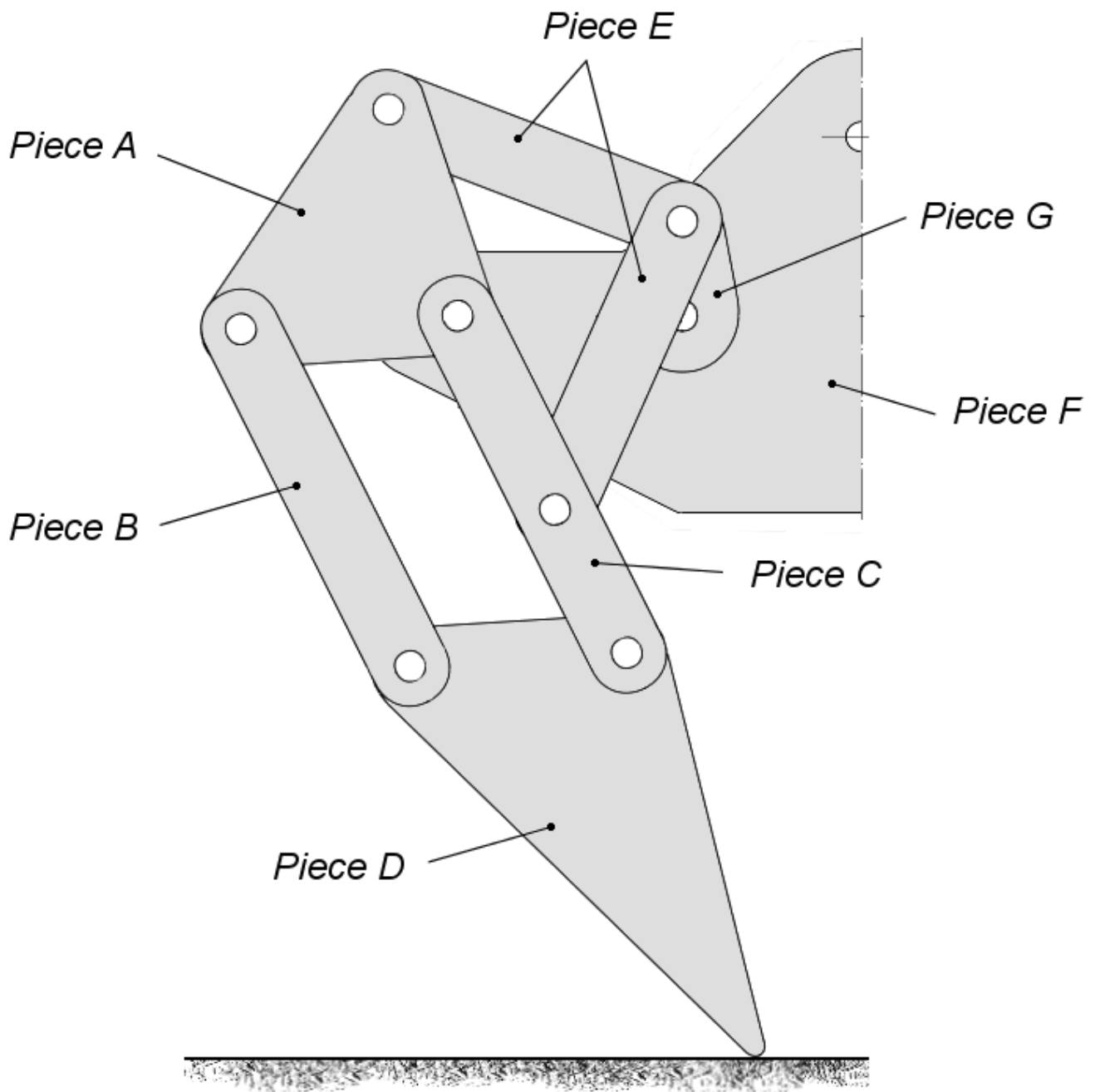


LEGS



Four Legs Walking Machine

Dominique Studer

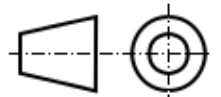
www.armure.ch/WALKING.htm

Date : 5-16-2017

Page 1

There is a piece B and C each side of A and D.

Scale 1:2

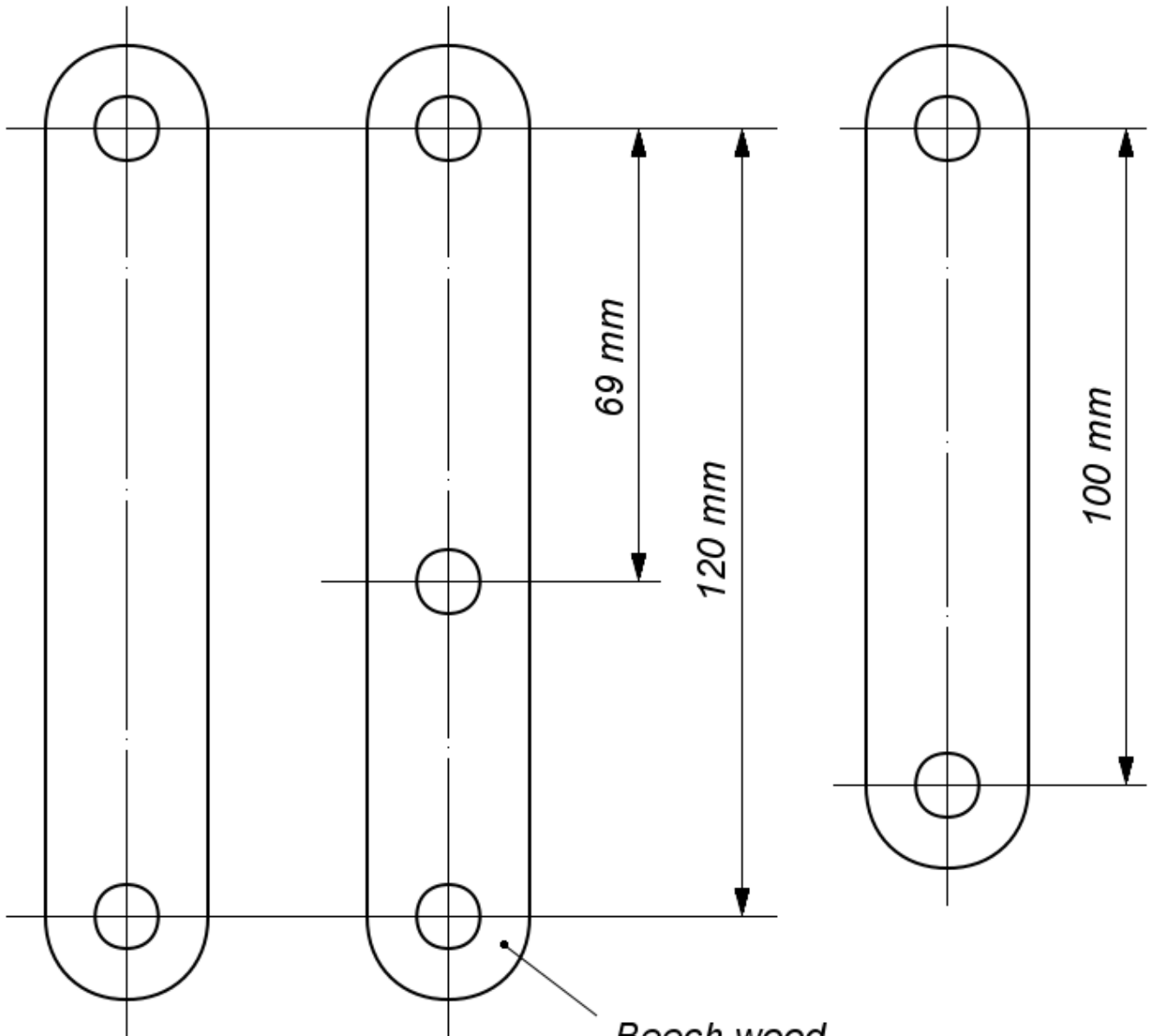


LEGS

Piece B

Piece C

Piece E



Beech wood
10 x 25 mm section

Four Legs Walking Machine

Dominique Studer

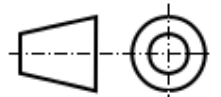
www.armure.ch/WALKING.htm

Date : 5-16-2017

Page 2

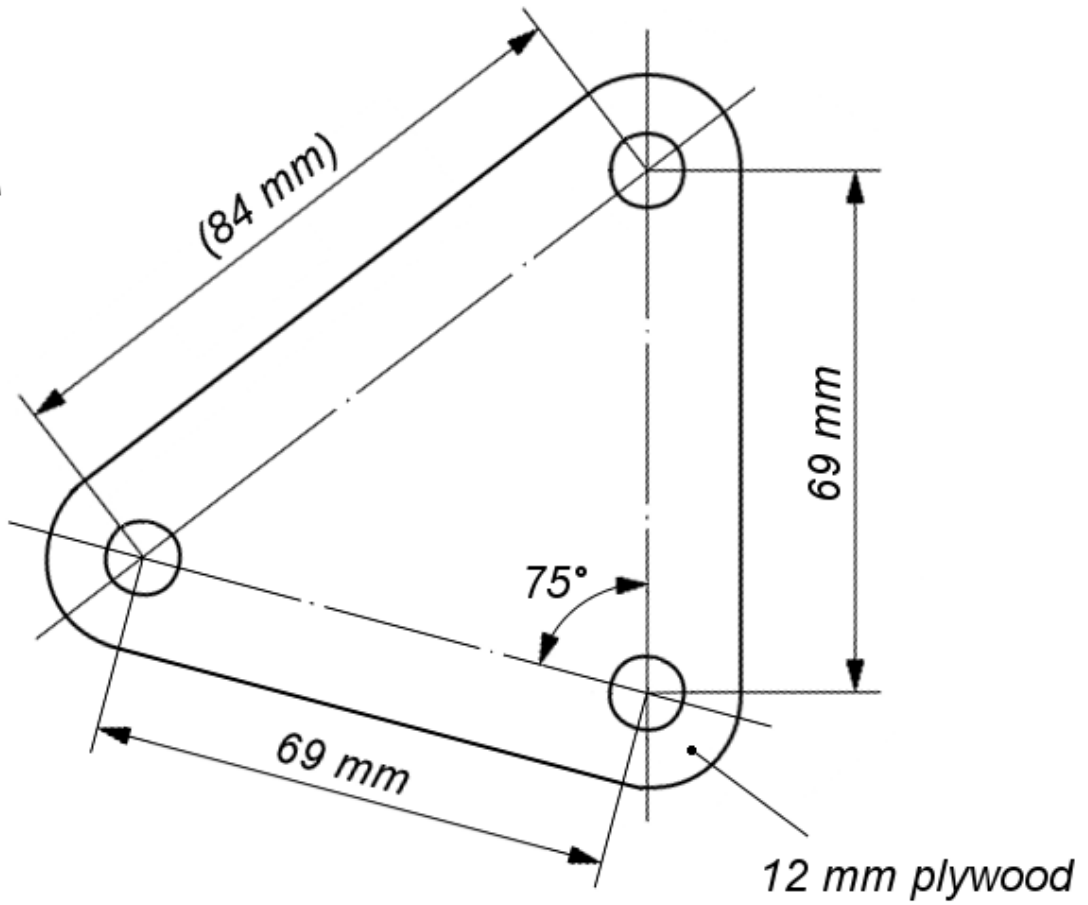
Quantity :
8 of each piece B, C and E.

Scale 1:1

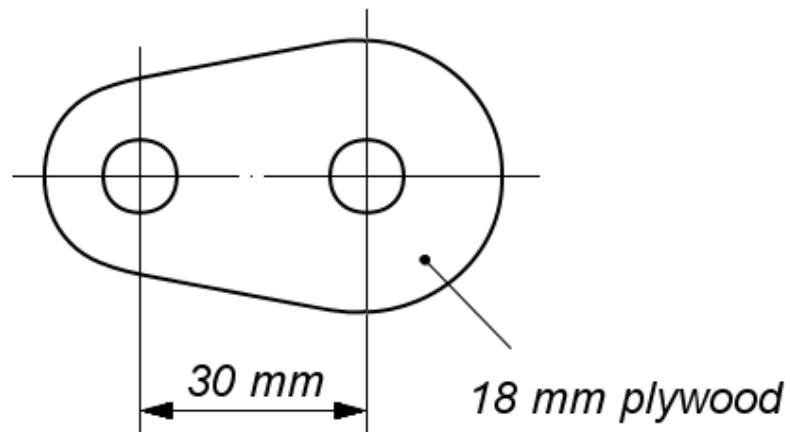


LEGS

Piece A



Piece G



Four Legs Walking Machine

Dominique Studer

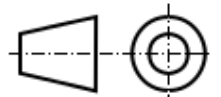
www.armure.ch/WALKING.htm

Date : 5-16-2017

Page 3

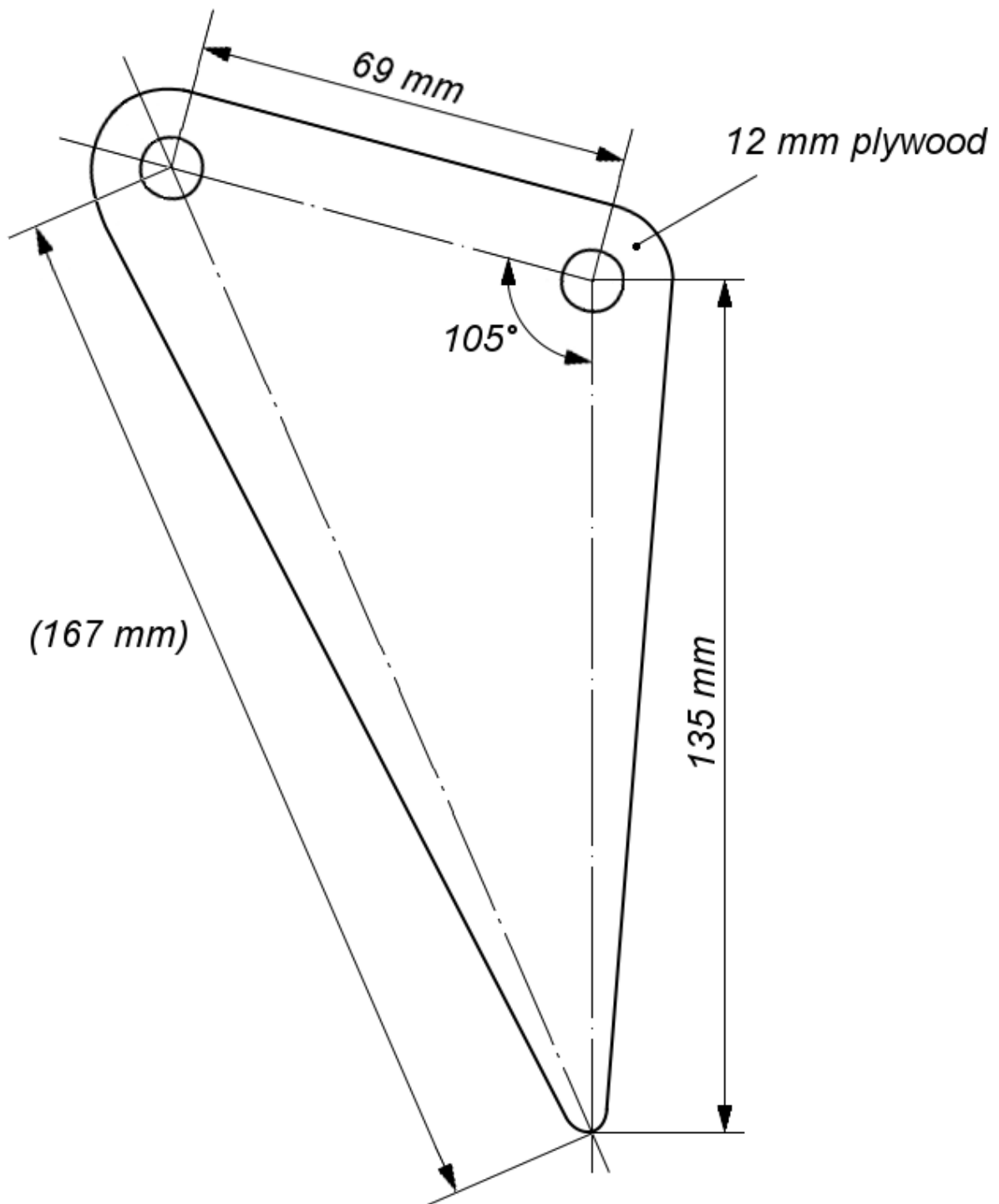
Quantity :
4 of each piece A and G.

Scale 1:1



LEGS

Piece D



Four Legs Walking Machine

Dominique Studer

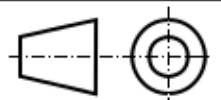
www.armure.ch/WALKING.htm

Date : 5-16-2017

Page 4

Quantity :
4 x piece D

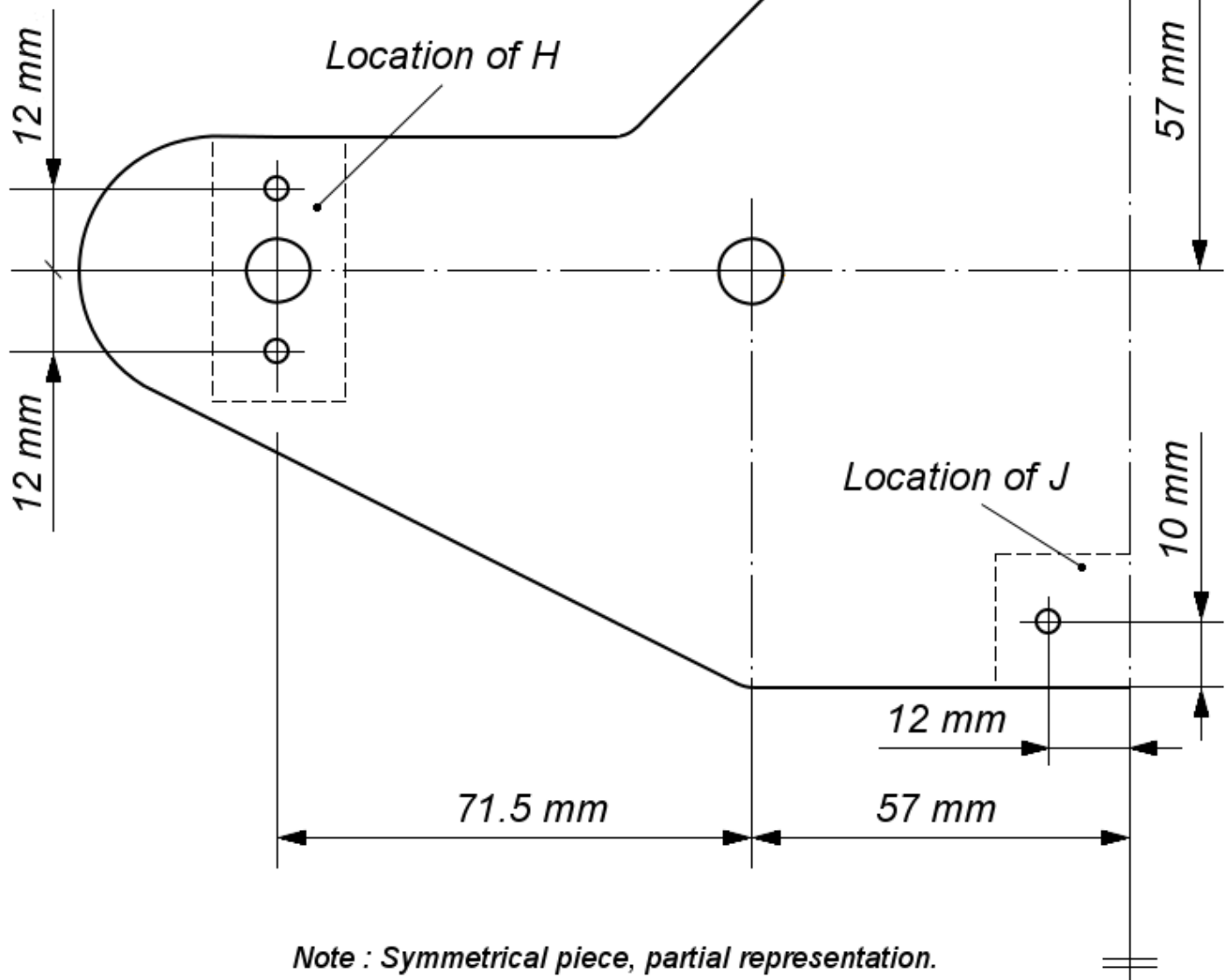
Scale 1:1



CHASSIS

Piece F

12 mm plywood



Four Legs Walking Machine

Dominique Studer

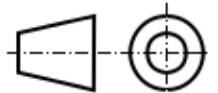
www.armure.ch/WALKING.htm

Date : 5-16-2017

Page 5

Quantity :
2 x piece F

Scale 1:1

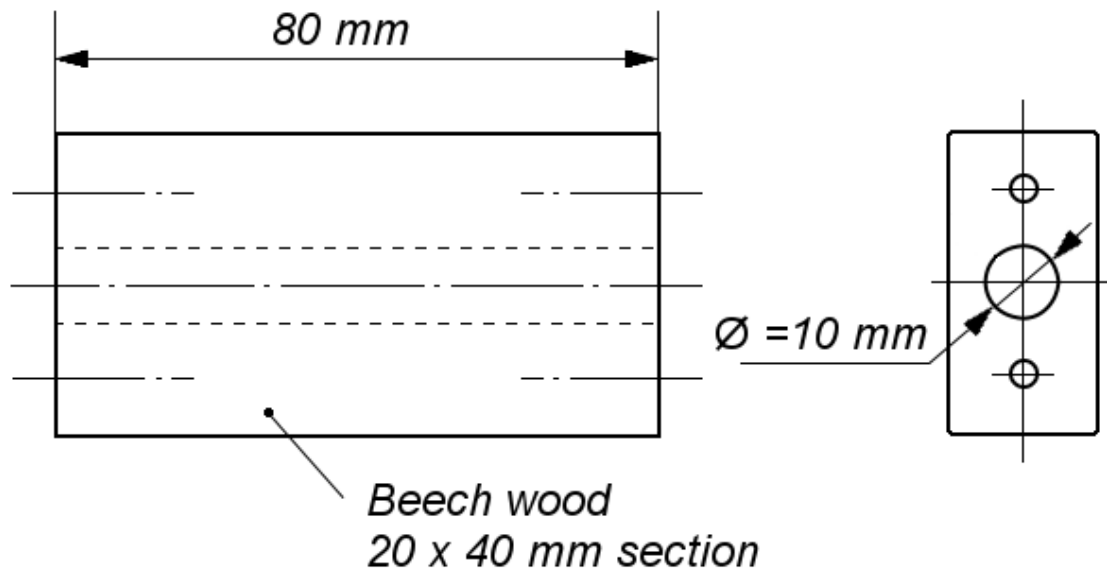


CHASSIS

Piece H

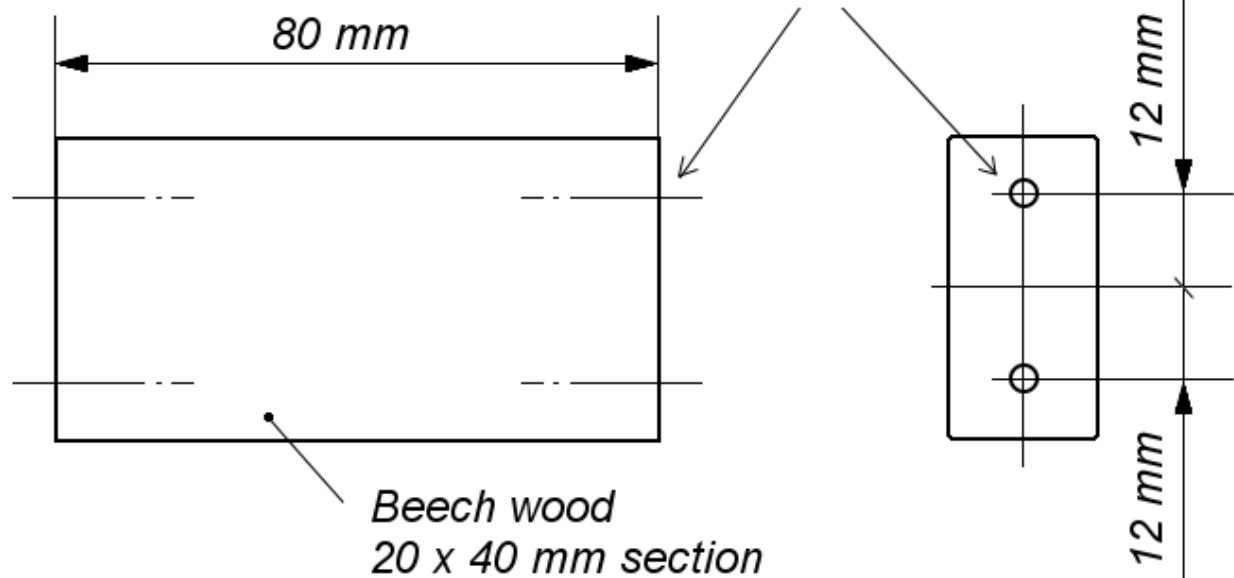
FRONT VIEW

SIDE VIEW



Piece J

Screws location



Four Legs Walking Machine

Dominique Studer

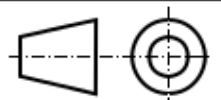
www.armure.ch/WALKING.htm

Date : 5-16-2017

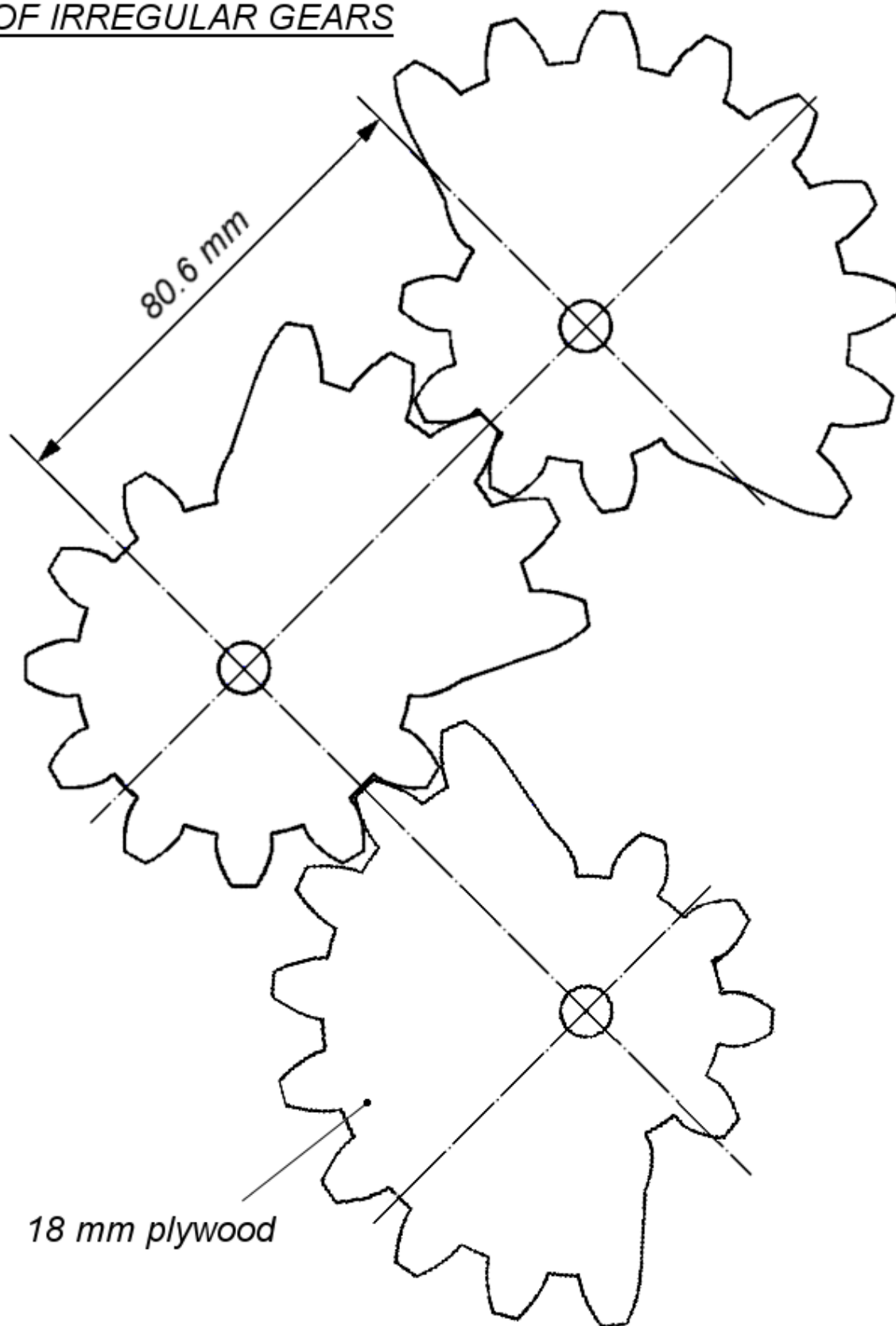
Page 6

Quantity :
2 x piece H
1 x piece J

Scale 1:1



SET OF IRREGULAR GEARS



Four Legs Walking Machine

Dominique Studer

www.armure.ch/WALKING.htm

Date : 5-16-2017

Page 7

*Quantity :
two sets.*

Scale 1:1

